

NEW

FLIR VUE™ PRO R

*Radiometric Thermal
Camera for sUAS*



AERIAL RADIOMETRIC THERMAL IMAGING WITH VUE PRO R

The new Vue Pro R from FLIR gives drone operators and certified thermographers the power to gather accurate, non-contact temperature measurements from an aerial perspective. Every still image the Vue Pro R saves contains accurate, calibrated temperature data embedded in every pixel, adding even more value to your sUAS operations and services than ever. Still delivering the same industry-leading thermal imaging quality, interfaces, and capability as the best-selling Vue Pro, the Vue Pro R adds fully radiometric data-gathering to sUAS applications as diverse as building and roof inspections, power grid inspections, infrastructure analysis, precision agriculture, and public safety.



RADIOMETRIC THERMAL IMAGING FOR SUAS

- Accurate real-time, non-contact temperature measurement of vital structures and equipment
- Saves Radiometric JPEGs with temperature data embedded in every pixels
- Compatible with FLIR Tools for full post-flight analysis and report generation

RECORD THERMAL IMAGES TO AN ON-BOARD MICRO-SD CARD

- Record real-time thermal videos in MOV format
- Save still images as Radiometric JPEG, or 14-bit TIFF formats
- MAVLink integration

FLEXIBLE CAMERA CONTROL AND CONFIGURATION OPTIONS

- Adjust camera functions with PWM inputs from your controller
- Configure your camera's recording and control settings with the Vue Pro mobile app
- Field-upgradeability makes sure you'll always have the latest features
- Simple power-in/analog video-out interface over 10-pin mini-USB connector
- Image settings optimized for airborne operations

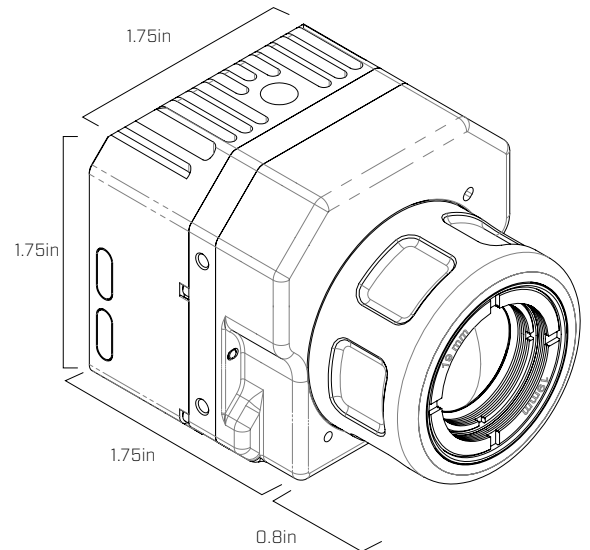
Specifications

Overview		
Thermal Imager	Uncooled VOx Microbolometer	
Sensor Resolution	640 × 512	336 × 256
Lens Options (FOV for Full-Sensor Digital Output)	9 mm; 69° × 56° 13 mm; 45° × 37° 19 mm; 32° × 26°	6.8 mm; 45° × 35° 9 mm; 35° × 27° 13 mm; 25° × 19°
Lens Options* (FOV for NTSC Analog Output)	9 mm; 62° × 49° 13 mm; 45° × 35° 19 mm; 32° × 24°	6.8 mm; 44° × 33° 9 mm; 34° × 26° 13 mm; 24° × 18°
Spectral Band	7.5 - 13.5 μm	
Full Frame Rates	30 Hz (NTSC); 25 Hz (PAL)	
Exportable Frame Rates	7.5 Hz (NTSC); 8.3 Hz (PAL)	
Measurement Accuracy	+/-5°C or 5% of reading	
Physical Attributes		
Size	2.26" x 1.75" (including lens)	
Weight	3.25 - 4 oz (Configuration Dependant)	
Precision Mounting Holes	Two M2x0.4 on each of two sides & bottom One 1/4-20 threaded hole on top	
Image Processing & Display Controls		
Image Optimization for sUAS	Yes	
Digital Detail Enhancement	Yes - Adjustable in mobile APP	
Invertable Image?	Yes - Selectable in mobile APP	
Polarity Control (black hot/white hot) & Color Palettes	Yes - Selectable in mobile APP	
Interfacing		
Input Supply Voltage	4.8-6.0 VDC	
Power Dissipation, steady state (max. 2.5W during shutter event of approximately 0.5 seconds)	<1.2 W	~1.0 W
Environmental		
Operating Temperature Range	-20°C to +50°C	
Non-Operating Temperature Range	-55°C to +95°C	
Operational Altitude	+40,000 feet	
Power/Video Module		
Input Power Range	5 VDC – 28 VDC	
Reverse Polarity Protection?	Yes	
Analog Video Output?	Yes	
HDMI Output	1280x720 @ 50hz, 60hz	

* Because the analog video output resolutions (640 × 480 and 320 × 240, respectively) are less than the full sensor resolution captured when saving digital stills and video, their resultant fields of view are slightly smaller as well. Both sets of values are shown here to allow operators the option of choosing the FOVs that most accurately reflect their pre-flight planning requirements.

Power/Video Module

The Power/Video Module makes the Vue Pro and Vue Pro R easier to integrate than ever. Its 10-pin mini-USB connector accepts a wider input power range and provides reverse polarity protection while still providing analog video output and access to the camera's on-board storage. The micro-HDMI connector outputs HDMI video for live digital video downlink systems like DJI Lightbridge and 3DR Solo. All this in a package that's only 11 mm thick and weighs 15 grams.



Vue Pro R with Power/Video Module attached

SANTA BARBARA

FLIR Systems, Inc.
70 Castilian Drive
Goleta, CA 93117
USA
PH: +1 866.344.4674

PORTLAND

Corporate Headquarters
FLIR Systems, Inc.
27700 SW Parkway Ave.
Wilsonville, OR 97070
USA
PH: +1 866.344.4674

www.flir.com
NASDAQ: FLIR

Equipment described herein may require US Government authorization for export purposes. Diversion contrary to US law is prohibited. Imagery for illustration purposes only. Specifications are subject to change without notice. ©2016 FLIR Systems, Inc. All rights reserved. [Created 06/02]